

5020

Full Port Bronze Valve



Via Circonvallazione, 10
13018 Valduggia (VC), Italy
Tel: +39 0163 47891
Fax: +39 0163 47895
www.vironline.com



Full port bronze ball valve
Press-fit/Press-fit (V and M profiles, European copper or steel tubing)
Design according to MSS-SP110
Air testing according to EN12266-1
Blow-out proof stem, adjustable packing
With handle or butterfly
VA and TR CU 010 compliant
Optional GDV compliant version available

PN16 (max 16bar up to 85°C, max 10bar at 120°C)
Free of CE marking (cat. according to Art. 4.3 Dir. 2014/68/EU)

Working conditions

- Suitable for: water, 0°C to +120°C
- Suitable for: air, -10°C to +120°C
- Not suitable for: gases and liquids group 1 (Dir. 2014/68/EU)

PARTLIST

| N. | Part | Material | Norm |
|-------------------|--------------|---------------------------------|----------------|
| 1 | O-ring | EPDM Perox | - |
| 2 | Seat | PTFE | - |
| 3 | Fixed end | Bronze | EN1982 CC491K |
| 4 | Ball | Chromium pl. brass ¹ | EN12165 CW617N |
| 5 | Body | Bronze | EN1982 CC491K |
| 6 | Stem | DZR brass | EN12164 CW602N |
| 7 | Packing ring | PTFE | - |
| 8 | Packing nut | Brass | EN12164 CW617N |
| 9 | Screw | Geomet steel | EN10025 Fe42 |
| 10 | Handle | Geomet steel ² | EN10111 Fe P11 |
| 10 _{alt} | Butterfly | Geomet steel ² | EN10111 Fe P11 |

¹PTFE coated ball for GDV version

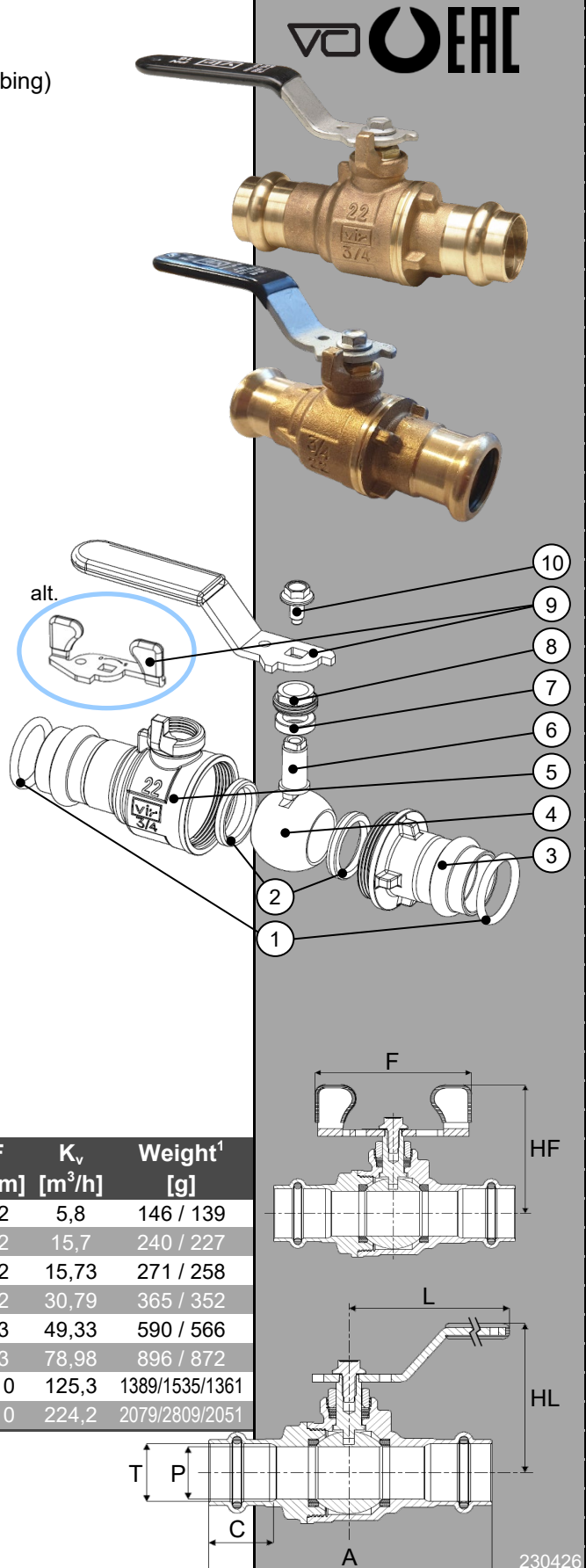
²With black PVC cover

DIMENSIONS

| DN | T | C ² | A ² | P | HL | L | HF | F | K _v | Weight ¹ |
|-----|------|----------------|----------------|------|------|-------|-------|------|---------------------|---------------------|
| | [mm] | [mm] | [mm] | [mm] | [mm] | [mm] | [mm] | [mm] | [m ³ /h] | [g] |
| 012 | 12,3 | 18 | 76 | 10 | 39,4 | 81,0 | 44,9 | 52 | 5,8 | 146 / 139 |
| 015 | 15,3 | 22 | 83 | 14 | 54,0 | 91,5 | 54,0 | 62 | 15,7 | 240 / 227 |
| 018 | 18,3 | 22 | 87 | 15 | 54,0 | 91,5 | 54,0 | 62 | 15,73 | 271 / 258 |
| 022 | 22,3 | 23 | 101 | 20 | 57,5 | 91,5 | 57,5 | 62 | 30,79 | 365 / 352 |
| 028 | 28,4 | 25 | 116 | 25 | 65,3 | 126,5 | 69,3 | 83 | 49,33 | 590 / 566 |
| 035 | 35,3 | 31 | 128 | 32 | 70,8 | 126,5 | 74,8 | 83 | 78,98 | 896 / 872 |
| 042 | 42,4 | 36/30 | 152/147,4 | 40 | 83,3 | 141,5 | 93,3 | 110 | 125,3 | 1389/1535/1361 |
| 054 | 54,4 | 44/35 | 177,4/167,8 | 50 | 91,0 | 141,5 | 101,0 | 110 | 224,2 | 2079/2809/2051 |

¹Weight for lever handle V version / weight for lever handle M version / weight for butterfly handle version

²Version V measure / version M measure



230426