

4620

Ductile Iron Lug Butterfly Valve



Via Circonvallazione, 10
13018 Valduggia (VC), Italy
Tel: +39 0163 47891
Fax: +39 0163 47895
www.vironline.com



Ductile iron Lug butterfly valve
For EN1092 PN25 flanges
Lengths according to EN558-1 series 20 (ex DIN3202 K1)
Design according to EN593, testing according to EN12266-1
Epoxy coating (min. 150µm)
With lever (lockable in both open and close position) or manual gear

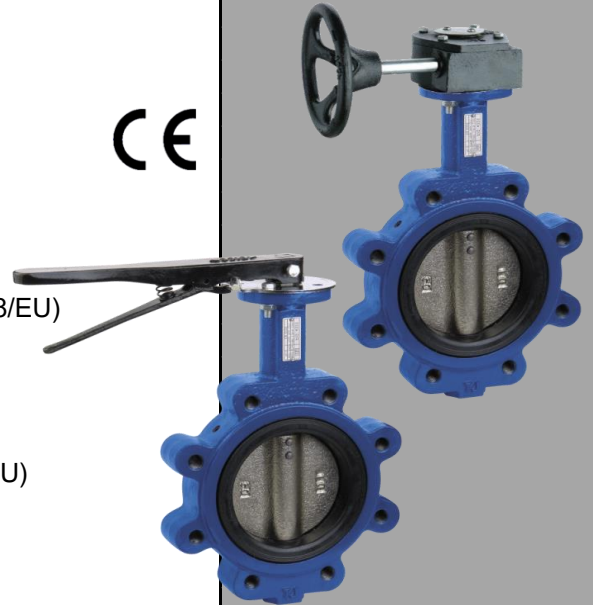
PN25

Free of CE marking for DN≤200 (cat. according to Art. 4.3 Dir. 2014/68/EU)

Working conditions

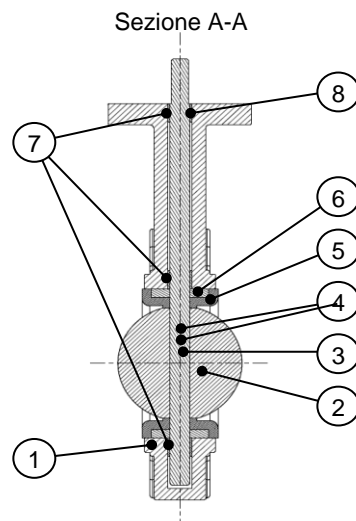
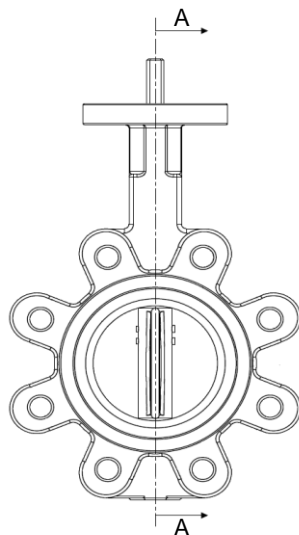
- Suitable for: water, -10°C to +110°C
below 0°C only for water with added antifreeze fluids
- Not suitable for: gases group 1 & 2, liquids group 1 (Dir. 2014/68/EU)

CE



PARTLIST

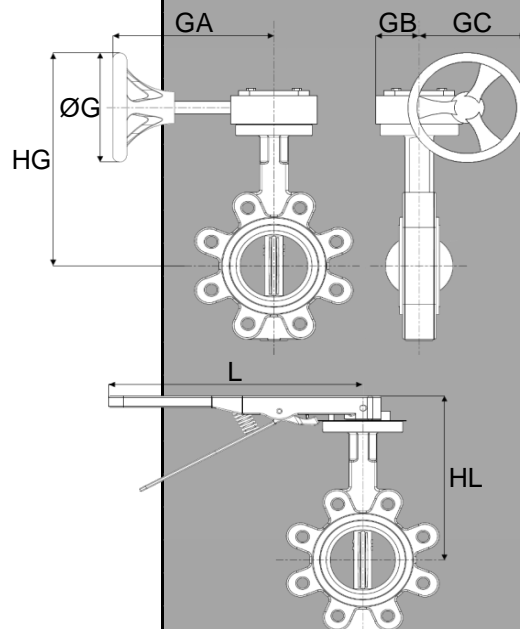
N.	Part	Material	Norm
1	Body	Ductile iron + epoxy	GGG40
2	Disc	D.I. Nickel plated	GGG40
3	Stem	Stainless steel	SS431
4	Taper pin	Stainless steel	-
5	Seat	EPDM	-
6	Seat support	Plastic	-
7	Bushing	PTFE	-
8	O-ring	EPDM	-
9a	Lever	Cast iron	-
9b	Manual gear	Cast iron	-



DIMENSIONS WITH LEVER OR GEAR

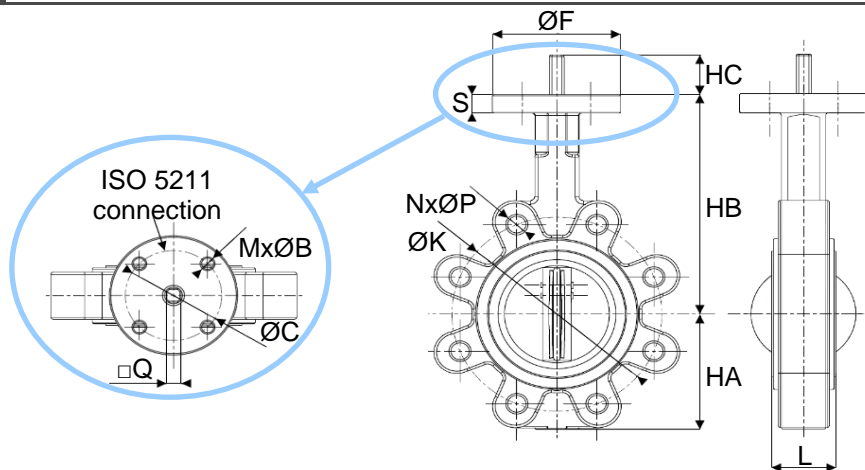
DN	L [mm]	HL [mm]	GA [mm]	GB [mm]	GC [mm]	HG [mm]	ØG [mm]	Weight ¹ [kg]
050	267	194	153	53	125	271	146	5,4 / 9,5
065	267	207	153	53	125	284	146	6,1 / 10,2
080	267	213	153	53	125	290	146	7,4 / 11,5
100	267	232	153	53	125	309	146	11,4 / 15,5
125	267	245	153	53	125	322	146	14,8 / 18,9
150	267	258	153	53	125	335	146	17,4 / 21,5
200	-	-	236	73	216	442	289	- / 41,1
250	-	-	236	73	216	474	289	- / 51,6
300	-	-	231	80	237	521	289	- / 74,7

¹Weight for version with lever / weight for version with gear



OTHER DIMENSIONS

DN	HA [mm]	HB [mm]	HC [mm]	NxØP [mm]	ØK [mm]	L [mm]	ØF [mm]	S [mm]	MxØB [mm]	ØC [mm]	ISO-□Q [mm]	Torque [Nm]	K _v [m ³ /h]	Wgt [kg]
050	76	162	32	4xM16	125	43	90	13	4x10	70	F07 - □9	28	99	4,5
065	89	175	32	8xM16	145	46	90	13	4x10	70	F07 - □9	35	170	5,2
080	95	181	32	8xM16	160	46	90	13	4x10	70	F07 - □9	45	261	6,5
100	114	200	32	8xM20	190	52	90	13	4x10	70	F07 - □11	82	519	10,5
125	127	213	32	8xM24	220	56	90	13	4x10	70	F07 - □14	111	884	13,9
150	140	226	32	8xM24	250	56	90	13	4x10	70	F07 - □14	219	1366	16,5
200	177	260	32	12xM24	310	60	125	14	4x12	102	F10 - □17	349	2713	28,1
250	203	292	32	12-M27	370	68	125	14	4x12	102	F10 - □22	617	4697	38,6
300	242	337	45	16-M27	430	78	150	20	4x14	125	F12 - □22	912	7136	61,7



FITTING VIR ACTUATORS

DN	Cutter-AQ electric actuators		Hovercraft pneumatic act. ¹	
	230VAC	24VDC	Double acting	Spring return
050	KACUTAQ02.800	KACUTAQ02.800	KAHOVER15.801	KAHOVER31.801
065	KACUTAQ02.800	KACUTAQ02.800	KAHOVER16.801	KAHOVER32.801
080	KACUTAQ02.800	KACUTAQ02.800	KAHOVER17.801	KAHOVER32.801
100	KACUTAQ03.800	KACUTAQ08.800	KAHOVER18.801	KAHOVER34.801
125	KACUTAQ04.800	KACUTAQ09.800	KAHOVER19.801	KAHOVER35.801
150	KACUTAQ06.800	KACUTAQ10.800	KAHOVER21.801	KAHOVER37.801 ²
200	KACUTAQ07.800	on request	KAHOVER22.801	KAHOVER38.801
250	KACUTAQ11.800	on request	KAHOVER24.801	on request
300	on request	on request	KAHOVER25.801	on request

¹Pneumatic actuators sized on 6bar air supply

²Flange adaptors required

Mounting of proposed actuators require specific square connection adaptors

Technical description and dimensions of actuators as reported in their specific technical sheets



Via Circonvallazione, 10
13018 Valduggia (VC), Italy
Tel: +39 0163 47891
Fax: +39 0163 47895
www.vironline.com