

380I Solar

Full Bore Bronze Ball Valve for High Temperatures



Via Circonvallazione, 10
13018 Valduggia (VC), Italy
Tel: +39 0163 47891
Fax: +39 0163 47895
www.vironline.com



Full bore bronze ball valve
Threaded F/F (ISO 228/1)
(available on request with ASME B1.20.1 NPT threads)
Design according to MSS-SP110
Air testing according to EN12266-1
Seats and packing specific for high temperatures
(Seats in PTFE+graphite, packing in Grafoil)
Blow-out proof stem, adjustable packing
CE and TR CU 010 compliant

PN40 (Max 40bar up to 100°C, max 10bar at 200°C)
Free of CE marking for DN≤32 (cat. according to Art. 4.3 Dir. 2014/68/EU)

Working conditions

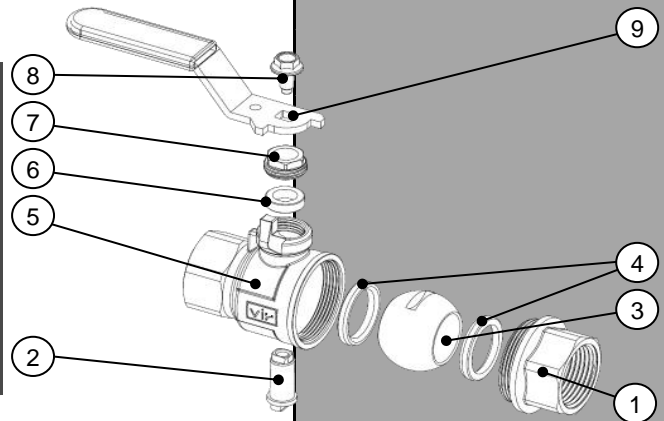
- Suitable for: water, -30°C to +200°C
below 0°C only for water with added antifreeze fluids
over 100°C only for water with added anti-boiling fluids
- Not suitable for: gases and liquids group 1 (Dir. 2014/68/UE)



PARTLIST

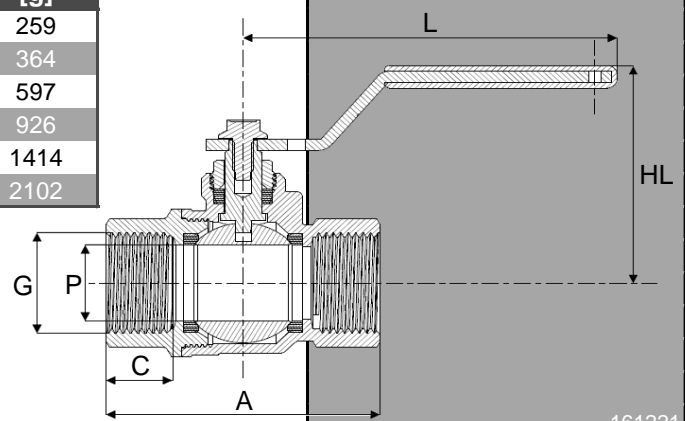
N.	Part	Material	Norm
1	Fixed End	Bronze	EN1982 CB491K
2	Stem	Stainless steel	AISI 316
3	Ball	Stainless steel	AISI 316
4	Seat	PTFE+graphite	-
5	Body	Bronze	EN1982 CB491K
6	Packing ring	Grafoil	-
7	Packing nut	Brass	EN12164 CW617N
8	Screw	Stainless steel	AISI 430
9	Handle	Stainless steel ¹	AISI 430

¹With red PVC cover



DIMENSIONS

DN	G	A	C	P	HL	L	K _v	Weight
		[mm]	[mm]	[mm]	[mm]	[mm]	[m ³ /h]	[g]
015	½"	57	15,5	15	54	91,5	15,7	259
020	¾"	67	16,5	20	58	91,5	30,8	364
025	1"	77	19,5	25	65	126,5	49,3	597
032	1¼"	91	21,5	32	71	126,5	79,0	926
040	1½"	103	21,5	40	83	141,5	125,3	1414
050	2"	122	25,0	50	91	141,5	224,2	2102



161221