

360

Full Port DZR Brass Ball Valve



Via Circonvallazione, 10
13018 Valduggia (VC), Italy
Tel: +39 0163 47891
Fax: +39 0163 47895
www.vironline.com

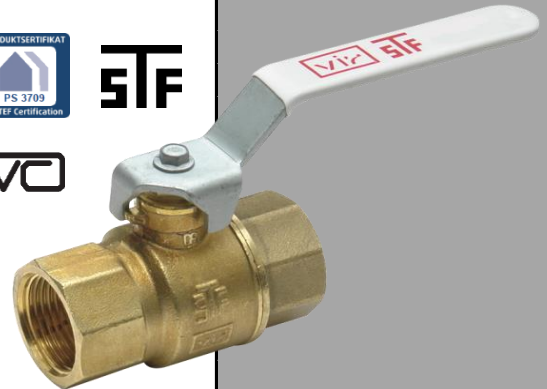


Full port DZR brass ball valve
Threaded F/F (ISO 228/1)
Air testing according to EN12266-1
Blow-out proof stem, adjustable packing
STF and VA compliant
Optional SINTEF compliant version available

PN25 (max 25bar up to 95°C, max 16bar at 150°C)
PN16 when used with air
Free of CE marking (cat. according to Art. 4.3 Dir. 2014/68/EU)

Working conditions

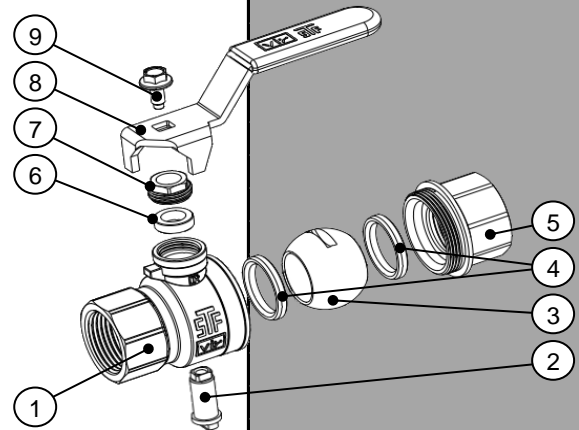
- Suitable for: water, 0°C to +150°C
- Suitable for: air, -10°C to +150°C
- Not suitable for: gases and liquids group 1 (Dir. 2014/68/EU)



PARTLIST

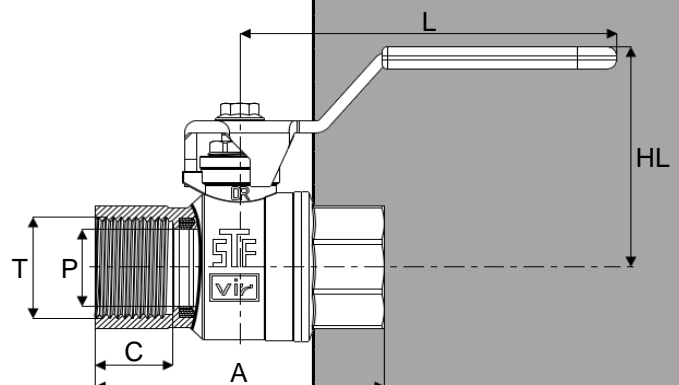
N.	Part	Material	Norm
1	Body	DZR brass	EN12165 CW602N
2	Stem	DZR brass	EN12164 CW602N
3	Ball	Chr. pl. DZR brass	EN12164 CW602N
4	Seat	PTFE	-
5	Fixed end	DZR brass	EN12165 CW602N
6	Packing ring	PTFE	-
7	Packing nut	Brass	EN12164 CW617N
8	Handle	Geomet steel ¹	EN10111 Fe P11
9	Screw	Geomet steel	EN10025 Fe42

¹With white PVC cover



DIMENSIONS

DN	T	A	C	P	HL	L	Weight
		[mm]	[mm]	[mm]	[mm]	[mm]	[g]
008	¼"	50	13,5	10	39	81,0	157
010	⅜"	50	13,5	10	39	81,0	140
015	½"	60	16,5	15	54	91,5	248
020	¾"	70	18,0	20	58	91,5	366
025	1"	84	22,0	25	67	126,5	633
032	1¼"	100	25,0	32	72	126,5	906
040	1½"	110	25,0	40	82	141,5	1505
050	2"	130	29,0	50	90	141,5	2486



230615