

348

Full Port Brass Ball Valve



Via Circonvallazione, 10
13018 Valduggia (VC), Italy
Tel: +39 0163 47891
Fax: +39 0163 47895
www.vironline.com

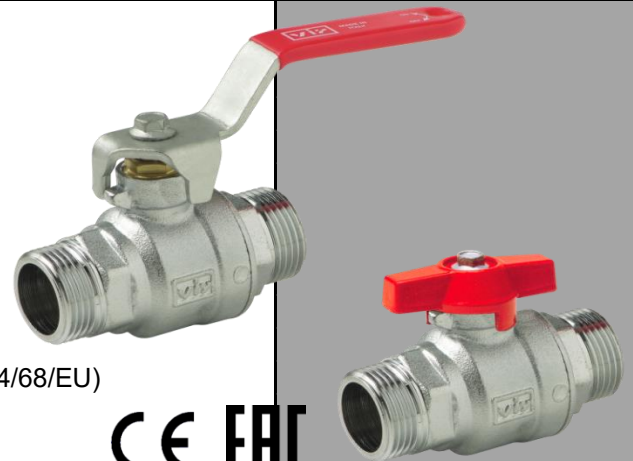


Full port brass ball valve
Threaded M/M (ISO 228/1)
Design according to MSS-SP110
Air testing according to EN12266-1
Blow-out proof stem, adjustable packing
With handle or butterfly
ACS, VA, WRAS and TR CU 010 compliant

PN40 (Max 40bar up to 95°C, max 25bar at 150°C)
Free of CE marking for DN≤32 (cat. according to Art. 4.3 Dir. 2014/68/EU)

Working conditions

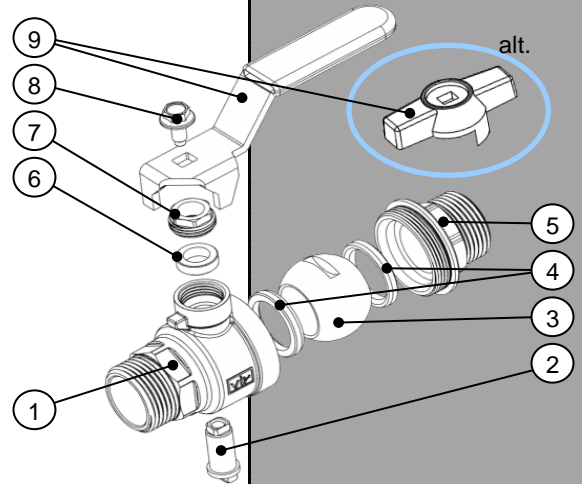
- Suitable for: water, 0°C to +150°C
- Suitable for: air, -10°C to +150°C
- Not suitable for: gases and liquids group 1 (Dir. 2014/68/EU)



PARTLIST

| N. | Part | Material | Norm |
|-------------------|--------------|---------------------------|----------------|
| 1 | Body | Chromium pl. brass | EN12165 CW617N |
| 2 | Stem | Brass | EN12164 CW617N |
| 3 | Ball | Chromium pl. brass | EN12165 CW617N |
| 4 | Seat | PTFE | - |
| 5 | Fixed end | Chromium pl. brass | EN12165 CW617N |
| 6 | Packing ring | PTFE | - |
| 7 | Packing nut | Brass | EN12164 CW617N |
| 8 | Screw | Geomet steel | EN10025 Fe42 |
| 9 | Handle | Geomet steel ¹ | EN10111 Fe P11 |
| 9 _{alt.} | Butterfly | Aluminum | UNI7363-5076 |

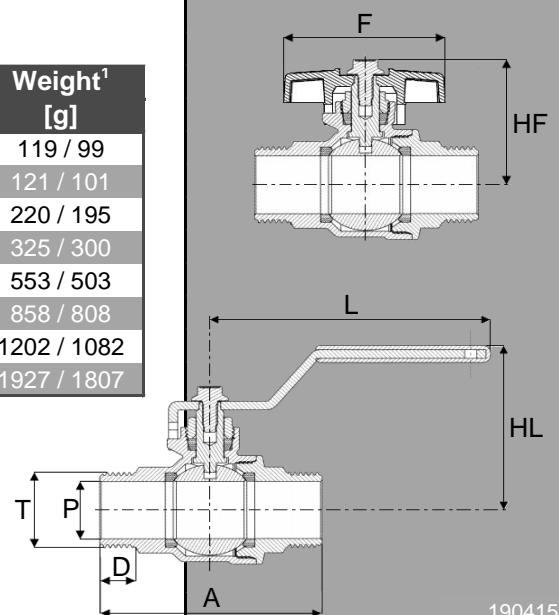
¹With red PVC cover



DIMENSIONS

| DN | T | A | D | P | HL | L | HF | F | K _v | Weight ¹ |
|-----|-----|------|------|------|------|-------|------|------|---------------------|---------------------|
| | | [mm] | [mm] | [mm] | [mm] | [mm] | [mm] | [mm] | [m ³ /h] | [g] |
| 008 | ¼" | 54 | 10 | 10 | 41 | 81,0 | 32 | 44 | 3,2 | 119 / 99 |
| 010 | ⅜" | 54 | 10 | 10 | 41 | 81,0 | 32 | 44 | 5,8 | 121 / 101 |
| 015 | ½" | 63 | 12 | 15 | 53 | 91,5 | 39 | 55 | 15,7 | 220 / 195 |
| 020 | ¾" | 73 | 12 | 20 | 57 | 91,5 | 43 | 55 | 30,8 | 325 / 300 |
| 025 | 1" | 85 | 16 | 25 | 65 | 126,5 | 50 | 83 | 49,3 | 553 / 503 |
| 032 | 1¼" | 100 | 18 | 32 | 71 | 126,5 | 56 | 83 | 79,0 | 858 / 808 |
| 040 | 1½" | 116 | 19 | 40 | 79 | 141,5 | 65 | 108 | 125,3 | 1202 / 1082 |
| 050 | 2" | 134 | 21 | 50 | 87 | 141,5 | 73 | 108 | 224,2 | 1927 / 1807 |

¹Weight for lever handle version / weight for butterfly handle version



190415