

# 343G

Full Port Brass Ball Valve for Gas



Via Circonvallazione, 10  
13018 Valduggia (VC), Italy  
Tel: +39 0163 47891  
Fax: +39 0163 47895  
www.vironline.com



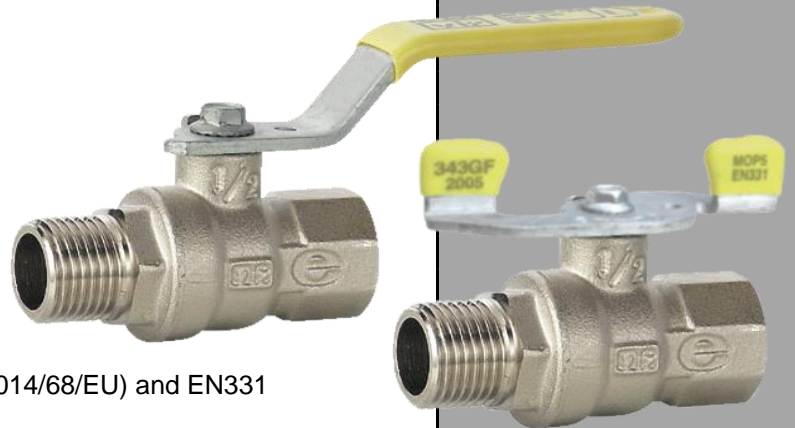
Full port brass ball valve  
Threaded M/F (ISO 7/1 R / ISO 7/1 Rc)  
Design according to EN331  
Air testing according to EN12266-1  
Blow-out proof stem  
With handle or butterfly  
Also available with lockable lever  
EN331 and TR CU 010 compliant

PN25

CE marked according to PED (cat. according Dir. 2014/68/EU) and EN331

Working conditions

- Suitable for: gas, -20°C to +60°C, pressure class MOP5 (for 1°, 2° and 3° gases according to EN437)



euroGAS

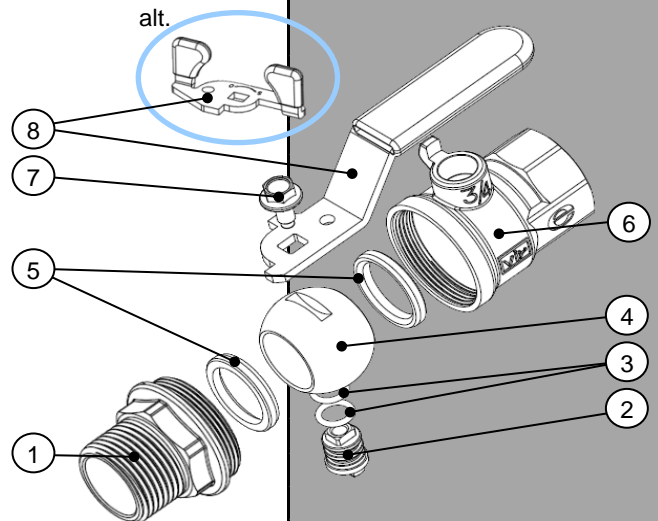
UNI EN 331



## PARTLIST

N.	Part	Material	Norm
1	Fixed end	Nickel pl. brass	EN12165 CW617N
2	Stem	Brass	EN12164 CW617N
3	O-ring	FKM	-
4	Ball	Chromium pl. Brass	EN12165 CW617N
5	Seat	PTFE	-
6	Body	Nickel pl. Brass	EN12165 CW617N
7	Screw	Zinc plated steel	EN10025 Fe42
8	Handle	Zinc plated steel <sup>1</sup>	EN10111 Fe P11
8 <sub>alt.</sub>	Butterfly	Zinc plated steel <sup>1</sup>	EN10111 Fe P11

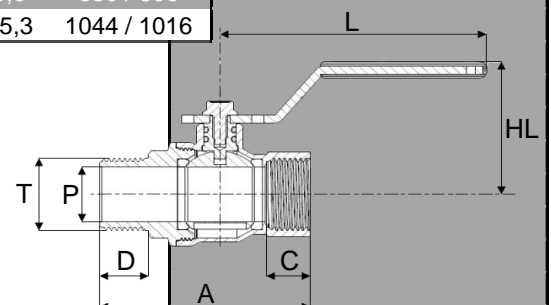
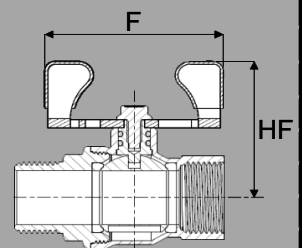
<sup>1</sup>With yellow PVC cover



## DIMENSIONS

DN	T	A	C	D	P	HL	L	HF	F	K <sub>v</sub>	Weight <sup>1</sup>
		[mm]	[mm]	[mm]	[mm]	[mm]	[mm]	[mm]	[mm]	[m <sup>3</sup> /h]	[g]
008	¼"	52	11,5	12,5	10	35	81	40	52	3,2	123 / 116
010	⅜"	52	11,5	12,5	10	35	81	40	52	5,8	120 / 113
015	½"	64	14,0	15,5	15	46	91,5	46	62	15,7	197 / 184
020	¾"	72	15,0	16,5	20	49	91,5	49	62	30,8	280 / 267
025	1"	82	18,0	19,5	25	53	126,5	57	83	49,3	453 / 429
032	1¼"	96	18,5	21,5	32	58	126,5	62	83	79,0	630 / 606
040	1½"	109	19,5	21,5	40	73	141,5	83	110	125,3	1044 / 1016

<sup>1</sup>Weight for lever handle version / weight for butterfly handle version



190225