

342

Full Bore Brass Ball Valve With Drain



Via Circonvallazione, 10
13018 Valduggia (VC), Italy
Tel: +39 0163 47891
Fax: +39 0163 47895
www.vironline.com

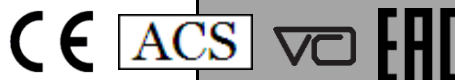
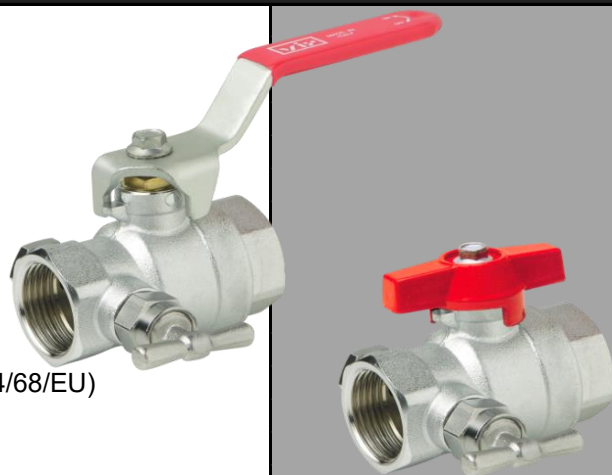


Full bore brass ball valve with drain
Threaded F/F (ISO 228/1)
Design according to MSS-SP110
Air testing according to EN12266-1
Blow-out proof stem, adjustable packing
With handle or butterfly
ACS, VA and TR CU 010 compliant

PN40 (Max 40bar up to 95°C, max 25bar at 150°C)
Free of CE marking for DN≤32 (cat. according to Art. 4.3 Dir. 2014/68/EU)

Working conditions

- Suitable for: water, 0°C to +150°C
- Suitable for: air, -10°C to +150°C
- Not suitable for: gases and liquids group 1 (Dir. 2014/68/UE)

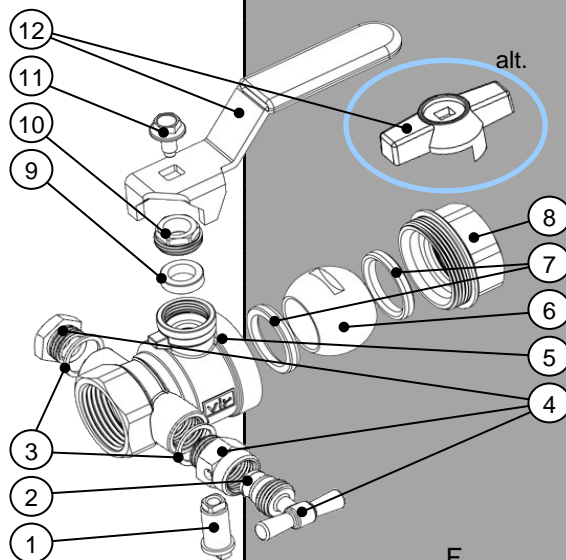


PARTLIST

N.	Part	Material	Norm
1	Stem	Brass	EN12164 CW617N
2	Drain gasket	NBR	-
3	Gasket	Fiber	-
4	Drain / cap ¹	Chromium pl. brass	EN12165 CW617N
5	Body	Chromium pl. brass	EN12165 CW617N
6	Ball	Chromium pl. brass	EN12165 CW617N
7	Seat	PTFE	-
8	Fixed end	Chromium pl. brass	EN12165 CW617N
9	Packing ring	PTFE	-
10	Packing nut	Brass	EN12164 CW617N
11	Screw	Geomet steel	EN10025 Fe42
12	Handle	Geomet steel ²	EN10111 Fe P11
12 _{alt}	Butterfly	Aluminum	UNI7363-5076

¹Delivered unmounted, mounting position may be switched

²With red PVC cover

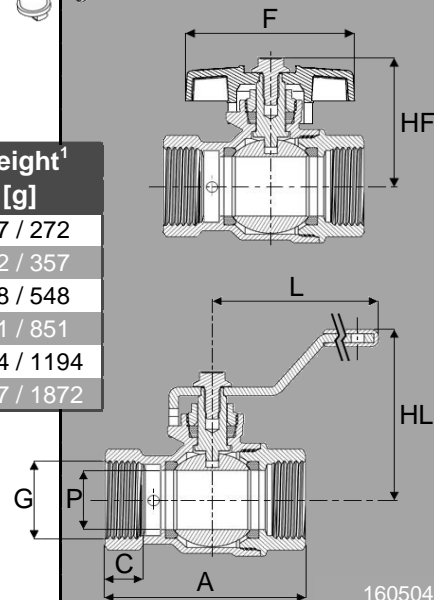
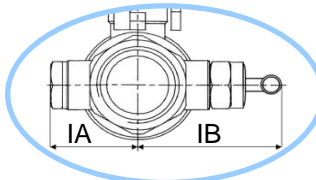


DIMENSIONS

DN	G	A [mm]	C [mm]	P [mm]	IA/IB [mm]	HL [mm]	L [mm]	HF [mm]	F [mm]	K _v [m ³ /h]	Weight ¹ [g]
015	½"	55	12	15	21/44	53	91,5	39	55	15,7	297 / 272
020	¾"	63	12	20	23/46	57	91,5	43	55	30,8	382 / 357
025	1"	73	15	25	28/51	65	126,5	50	83	49,3	598 / 548
032	1¼"	87	16	32	31/54	71	126,5	56	83	79,0	901 / 851
040	1½"	99	17	40	36/59	79	141,5	65	108	125,3	1314 / 1194
050	2"	115	19	50	42/65	87	141,5	73	108	224,2	1947 / 1872

¹Weight for lever handle version / weight for butterfly handle version

Front view



160504