

340 Solar

Full Bore Brass Ball Valve for High Temperatures



Via Circonvallazione, 10
13018 Valduggia (VC), Italy
Tel: +39 0163 47891
Fax: +39 0163 47895
www.vironline.com



Full bore brass ball valve
Threaded F/F (ISO 228/1)
Design according to MSS-SP110
Air testing according to EN12266-1
Seats and packing specific for high temperatures
(Seats in PTFE+graphite, packing in Grafoil)
Blow-out proof stem, adjustable packing
With handle or butterfly (up to DN≤50)
TR CU 010 compliant

PN25 (Max 25bar up to 100°C (75°C for DN50), max 10bar at 180°C)
Free of CE marking (cat. according to Art. 4.3 Dir. 2014/68/EU)

Working conditions

- Suitable for: water, -30°C to +180°C
below 0°C only for water with added antifreeze fluids
over 100°C only for water with added anti-boiling fluids
- Not suitable for: gases group 1 & 2, liquids group 1 (Dir. 2014/68/UE)

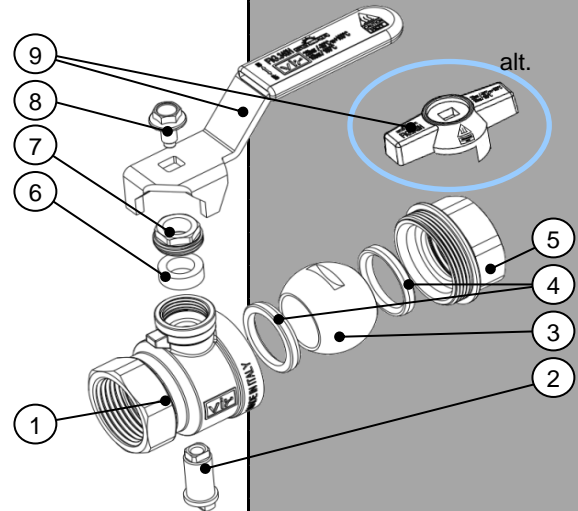


EAC

PARTLIST

N.	Part	Material	Norm
1	Body	Brass	EN12165 CW617N
2	Stem	Brass	EN12164 CW617N
3	Ball	Chromium pl. brass	EN12165 CW617N
4	Seat	PTFE+graphite	-
5	Fixed end	Brass	EN12165 CW617N
6	Packing ring	Grafoil	-
7	Packing nut	Brass	EN12164 CW617N
8	Screw	Geomet steel	EN10025 Fe42
9	Handle	Geomet steel ¹	EN10025 Fe P11
9 _{alt.}	Butterfly	Aluminum	UNI7363-5076

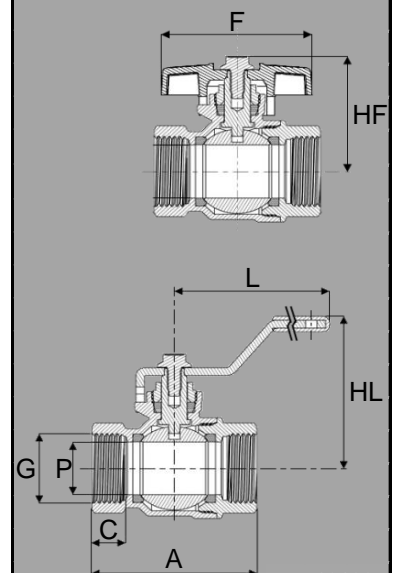
¹With red PVC cover



DIMENSIONS

DN	G	A [mm]	C [mm]	P [mm]	HL [mm]	L [mm]	HF [mm]	F [mm]	K _v [m ³ /h]	Weight ¹ [g]
010	3/8"	39	9,0	10	41	81	32	44	5,8	120 / 100
015	1/2"	49	11,5	15	53	91,5	39	55	15,7	220 / 195
020	3/4"	58	12,0	20	57	91,5	43	55	30,8	305 / 280
025	1"	67	14,5	25	65	126,5	50	83	49,3	520 / 470
032	1 1/4"	81	16,0	32	71	126,5	56	83	79,0	815 / 765
040	1 1/2"	94	17,0	40	79	141,5	65	108	125,3	1210 / 1090
050	2"	110	19,0	50	87	141,5	73	108	224,2	1805 / 1685

¹Weight for lever handle version / weight for butterfly handle version



161005