

33MM

Full Port Brass Ball Valve with Reversible Handle



Via Circonvallazione, 10
13018 Valduggia (VC), Italy
Tel: +39 0163 47891
Fax: +39 0163 47895
www.vironline.com

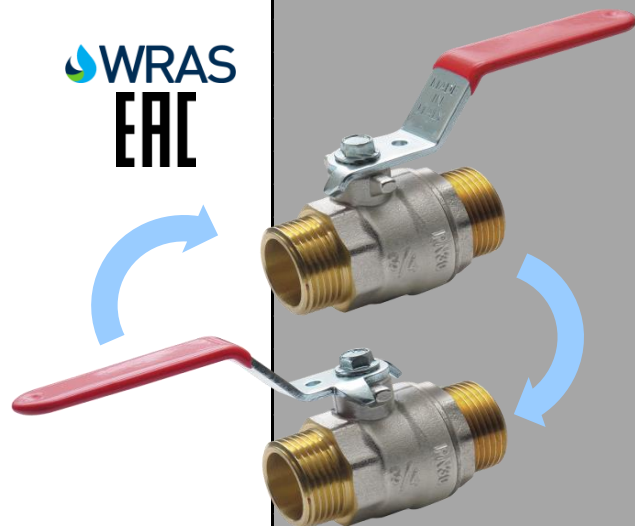


Full port brass ball valve
Threaded M/M (ISO 228/1)
Air testing according to EN12266-1
Blow-out proof stem
Reversible handle
WRAS and TR CU 010 compliant

PN32 (Max 32bar up to 85°C, max 10bar at 130°C)
When used with air Max 20bar up to 110°C, max 10bar at 130°C
Free of CE marking (cat. according to Art. 4.3 Dir. 2014/68/EU)

Working conditions

- Suitable for: water, 0°C to +130°C
- Suitable for: air, -10°C to +130°C
- Not suitable for: gases and liquids group 1 (Dir. 2014/68/EU)

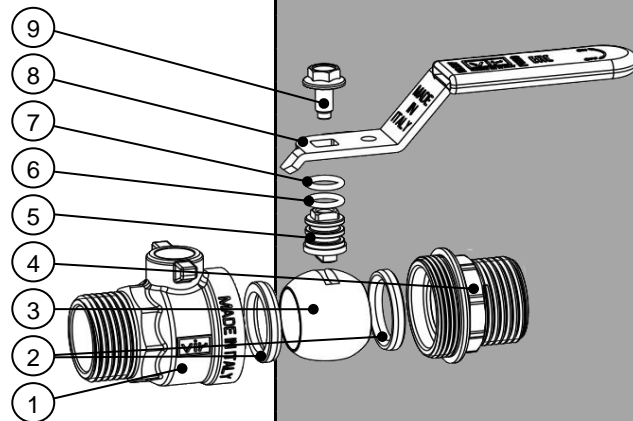


PARTLIST

N.	Part	Material	Norm
1	Body	Nickel plated brass ¹	EN12165 CW617N
2	Seat	PTFE	-
3	Ball	Chromium pl. brass	EN12164 CW617N
4	Fixed end	Nickel plated brass ¹	EN12165 CW617N
5	Stem	Brass	EN12164 CW617N
6	O-ring	NBR 70SH	-
7	O-ring	NBR 70SH	-
8	Handle	Dacromet steel ²	EN10111 Fe P11
9	Screw	Zinc plated steel	EN10025 Fe42

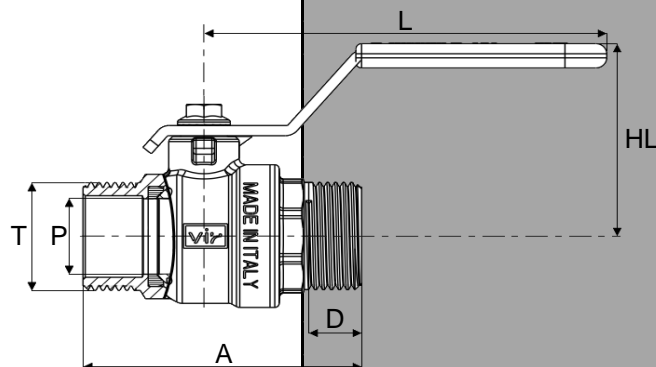
¹Threads and internal parts not plated

²With red PVC cover



DIMENSIONS

DN	T	A	D	P	HL	L	Weight
		[mm]	[mm]	[mm]	[mm]	[mm]	[g]
010	3/8"	46,0	10,0	8,5	32	81,0	90
015	1/2"	55,5	12,5	12,7	44	91,5	160
020	3/4"	63,5	13,0	18,5	47	91,5	240
025	1"	74,0	15,5	24,0	51	126,5	400



190225