

# 338

Full Port Brass Ball Valve



Via Circonvallazione, 10  
13018 Valduggia (VC), Italy  
Tel: +39 0163 47891  
Fax: +39 0163 47895  
www.vironline.com

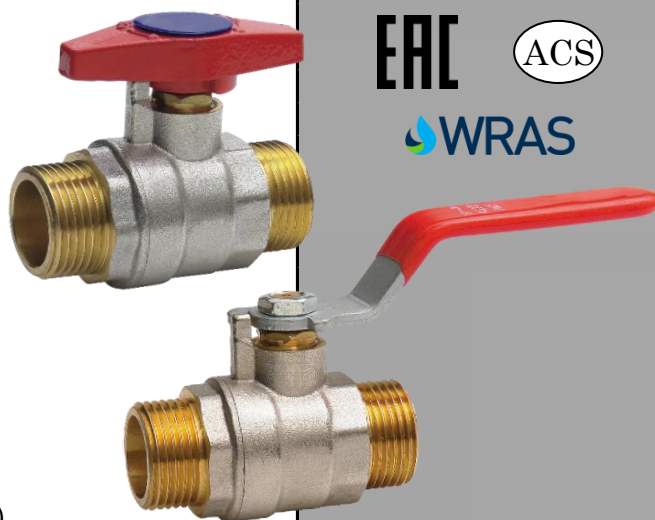


Full port brass ball valve  
Threaded M/M (ISO 228/1)  
Air testing according to EN12266-1  
Blow-out proof stem  
O-ring + adjustable packing  
With handle or butterfly  
ACS, WRAS and TR CU 010 compliant

PN25 (PN16 when used with air)  
Free of CE marking (cat. according to Art. 4.3 Dir. 2014/68/EU)

Working conditions

- Suitable for: water, 0°C to +95°C
- Suitable for: air, -10°C to +110°C
- Not suitable for: gases and liquids group 1 (Dir. 2014/68/EU)



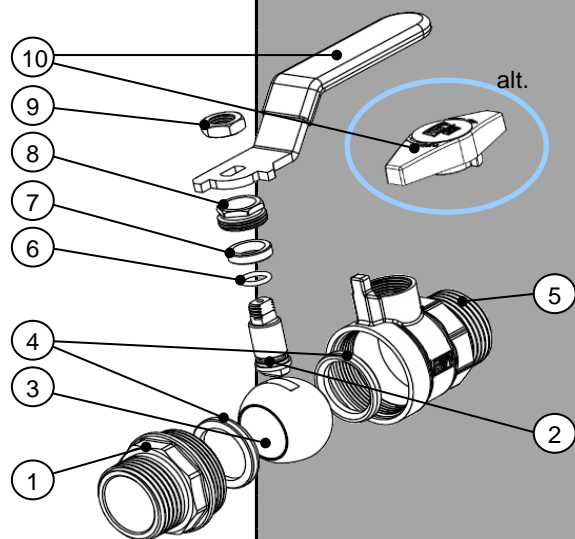
## PARTLIST

N.	Part	Material	Norm
1	Fixed end	Nickel pl. brass <sup>1</sup>	-
2	Stem	Brass	-
3	Ball	Chromium pl. brass	-
4	Seat	PTFE	-
5	Body	Nickel pl. brass <sup>1</sup>	-
6	O-ring	NBR 70SH	-
7	Packing	PTFE	-
8	Packing nut	Brass	-
9	Nut	Zinc plated steel	-
10	Handle	Dacromet steel <sup>2</sup>	-
10 <sub>alt</sub>	Butterfly	Aluminum <sup>3</sup>	-

<sup>1</sup>Threads and internal parts not plated

<sup>2</sup>With red PVC cover

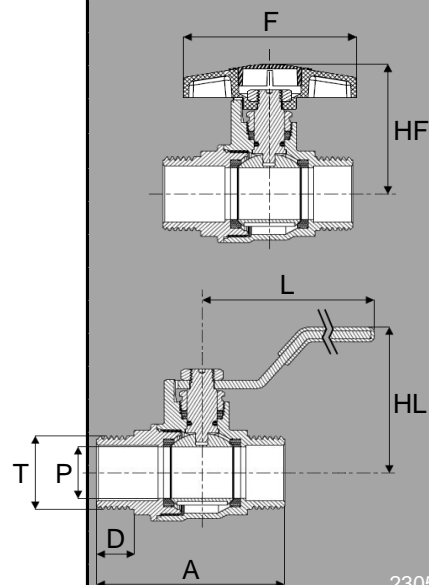
<sup>3</sup>With blue nylon nut cover



## DIMENSIONS

DN	T	A	D	P	HL	L	HF	F	Weight <sup>1</sup>
		[mm]	[mm]	[mm]	[mm]	[mm]	[mm]	[mm]	[g]
008	1/4"	49,5	10,0	9,0	39	81	38,0	46	125 / 105
010	3/8"	48,0	10,0	10,0	39	81	38,0	46	128 / 108
015	1/2"	55,5	11,0	14,7	51	91	44,4	55	196 / 161
020	3/4"	62,5	12,5	18,5	52	91	45,8	55	265 / 230
025	1"	70,5	14,0	24,0	60	126	55,4	80	449 / 389
032	1 1/4"	85,5	16,0	31,0	66	126	61,4	80	647 / 587
040	1 1/2"	94,0	17,0	37,0	73	141	70,6	110	891 / 821
050	2"	115,0	20,0	49,5	83	141	79,9	110	1464 / 1394

<sup>1</sup>Weight for lever handle version / weight for butterfly handle version



230525