

# 325-ENO

Two Way Brass Ball Valve for Oenology With Conn. for Actuator



Via Circonvallazione, 10  
13018 Valduggia (VC), Italy  
Tel: +39 0163 47891  
Fax: +39 0163 47895  
www.vironline.com



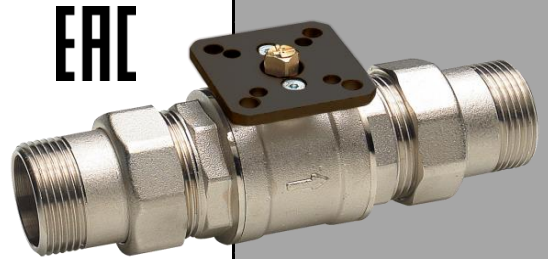
Two way brass ball valve for oenology with connection for actuator  
Threaded M/M with union ends (ISO 228/1) up to DN≤32  
Threaded F/F (ISO 228/1) for DN40 and DN50  
Actuator connection according to ISO 5211 (F03/F05)  
Air testing according to EN12266-1  
TR CU 010 compliant

Shell rating: PN40

Working conditions: Max 16bar, max differential pressure 3,5bar  
Free of CE marking (cat. according to Art. 4.3 Dir. 2014/68/EU)

Working conditions

- Suitable for: water, -15°C to +110°C  
below 0°C only for water with added antifreeze fluids  
over 100°C only for water with added anti-boiling fluids  
(Ethylene glycol or propylene glycol mix. >20% and ≤50% may be used)
- Not suitable for: gases group 1 & 2, liquids group 1 (Dir. 2014/68/EU)



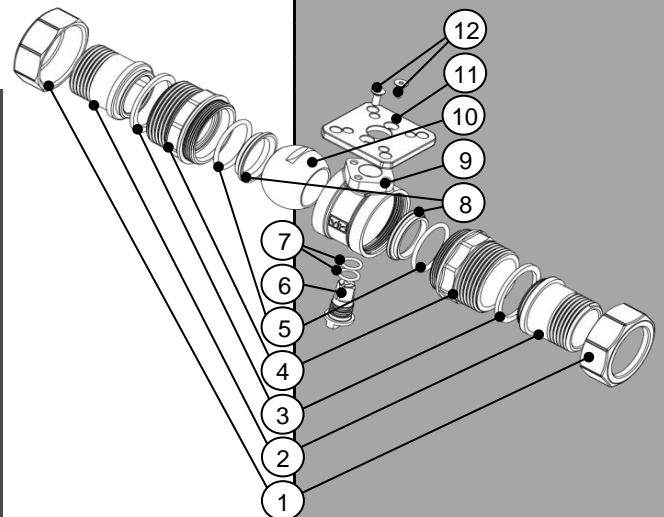
## PARTLIST

N.	Part	Material	Norm
1	Union nut <sup>1</sup>	Nickel plated brass	EN12165 CW617N
2	Union end <sup>1</sup>	Nickel plated brass	EN12165 CW617N
3	Gasket <sup>1</sup>	PTFE	-
4	Fixed end <sup>2</sup>	Nickel plated brass	EN12165 CW617N
5	Seat O-ring <sup>3</sup>	EPDM Perox	-
6	Stem	Brass	EN12164 CW617N
7	Stem O-ring	EPDM Perox	-
8	Seat	PTFE	-
9	Body	Nickel plated brass	EN12165 CW617N
10	Ball	Chromium pl. brass	EN12164 CW617N
11	Actuator flange	Painted aluminum	UNI EN 1706
12	Screw	Stainless steel	-

<sup>1</sup>Up to DN32 (included) only

<sup>2</sup>Female threaded for DN40 and DN50

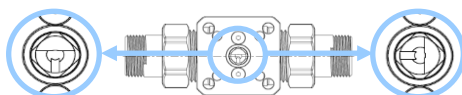
<sup>3</sup>DN15 excluded



## DIMENSIONS

DN	T	B	L [mm]	HB [mm]	HC [mm]	ISO-□Q [mm]	Wgt [g]
015	1/2"	3/4"	120,6	27,6	10	F03/F05 - □9	468
020	3/4"	1"	134,4	30,5	10	F03/F05 - □9	670
025	1"	1 1/4"	156,6	34,3	10	F03/F05 - □9	924
032	1 1/4"	1 1/2"	178,8	39,8	10	F03/F05 - □9	1467
040	1 1/2"	-	96,0	52,8	10	F03/F05 - □9	1297
050	2"	-	113,0	60,5	10	F03/F05 - □9	2098

Opened valve:  
notch  
perpendicular  
to flow



Closed valve:  
notch  
parallel  
to flow

